

# PDU HD BASIC 0U, 3 PHASE 32A, 24 C13 + 12 C19 LOCKING OUTLETS, IEC 60309

Cat. No: 6 469 73



CONTENTS	Page
1. KEY FEATURES .....	1
2. INPUT .....	1
3. OUTPUT .....	1
4. MECHANICAL FEATURES .....	2
5. ENVIRONMENTAL CHARACTERISTICS .....	2
6. ELECTRICAL DIAGRAM .....	3
7. DIMENSIONS .....	3
8. MOUNTING SOLUTIONS .....	4
9. STANDARDS AND REGULATIONS .....	5

## 1. KEY FEATURES

Linkeo Data Center PDUs provide electric power for IT equipment in 19" enclosures.

They have been designed with specific features for Data Center applications.

Each C13 and C19 outlets are numbered and equipped with a cord locking (100 Newton retention force).

PDUs with several circuits are equipped with hydraulic magnetic circuit protection. Hydraulic magnetic circuit breakers are not affected by ambient temperature.

High ambient temperature rating: 55°C

Easy installation thanks to 330° rotating cable input and button-type brackets

## 2. INPUT

Input Plug	IEC 60309 32A 3P+N+E
Cord Length	3m - 9.84 ft
Cord Entry	Rotating (330°), bottom front
Cable Type	HO7RNF 5G6 LSZH
Maximum Input Current	32A
Nominal Input Voltage	400V, 3-phases
Rated Input Voltage	346-415V
Input Frequency	50/60Hz
Power Capacity	22.2kW at 400V

## 3. OUTPUT

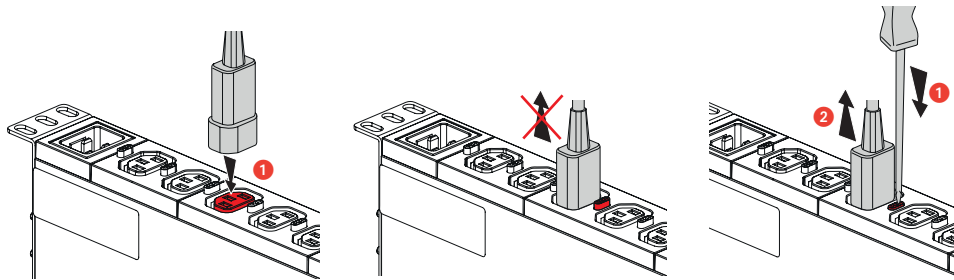
Nominal Output Voltage	230V
Outlet type	24 C13 + 12 C19
Cord locking system	Yes
Cord Retention	100 N
Circuit breakers	Yes
Circuit breakers type	Mecanic Hydraulic (curve D)

#### Cable locking system on C13/C19 sockets

The cable is locked mechanically into the socket to prevent any unintended disconnection (caused by maintenance, vibrations, etc.).

Pull-out force 100 N

This universal solution is compatible with any standard compliant cord type on the market.



#### 4. MECHANICAL FEATURES

- Casings: 6060 T5-R19 natural anodised aluminium

- Outlet modules:

PC/ABS

CW507L (CuZn 36) brass

- Fixing brackets:

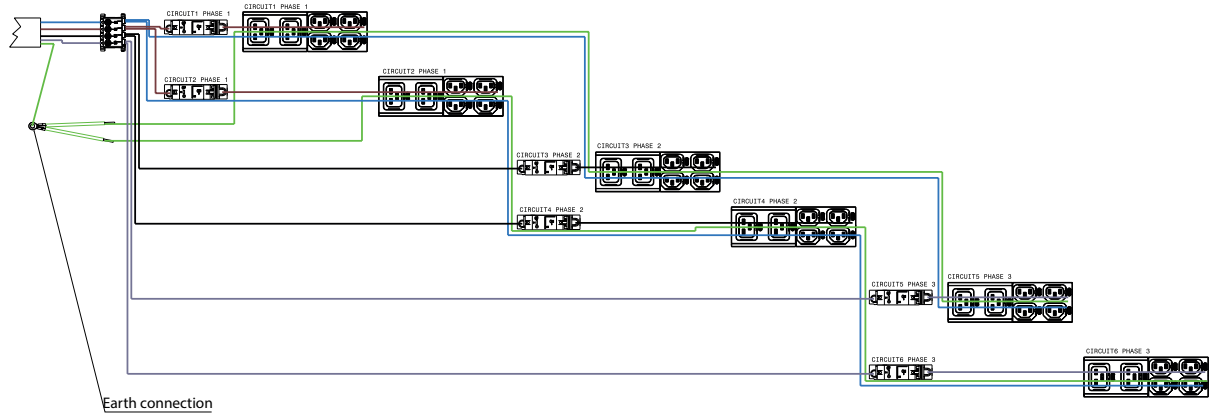
DC01-A-m galvanised steel

Color	Aluminium grey (casing) / black (outlet modules)
Casing	Zero-U, aluminium
IP	20
IK	04

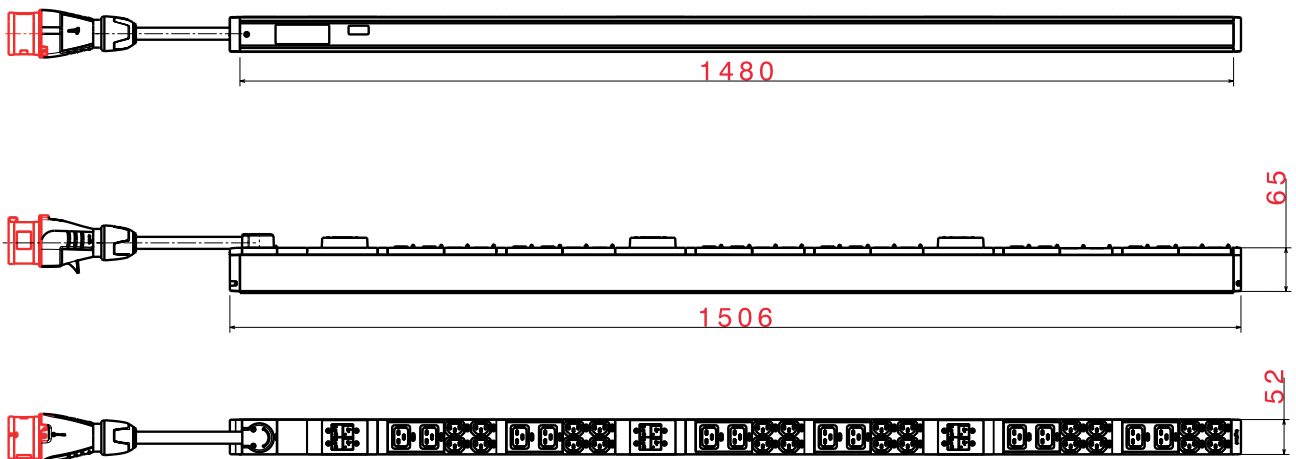
#### 5. ENVIRONMENTAL CHARACTERISTICS

Storage and transport temperature	-20 to +70°C
Operating temperature	+5°C to +55°C
Operating Relative Humidity	5% to 95%
Operating Elevation	0 - 2000 m

## 6. ELECTRICAL DIAGRAM



## 7. DIMENSIONS



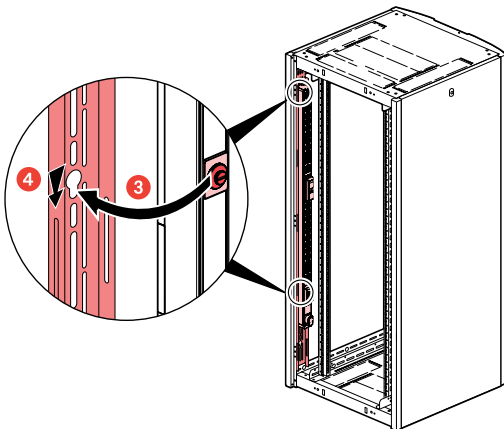
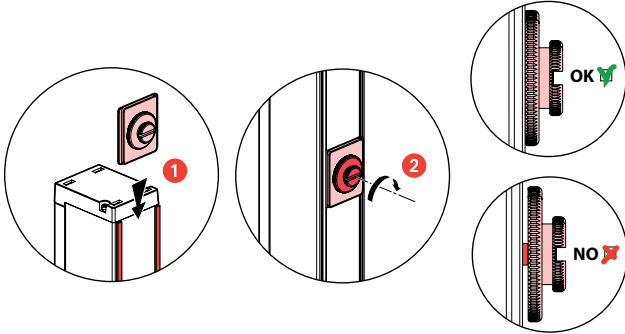
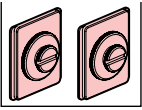
**8. MOUNTING SOLUTIONS**

**8.1 INCLUDED**

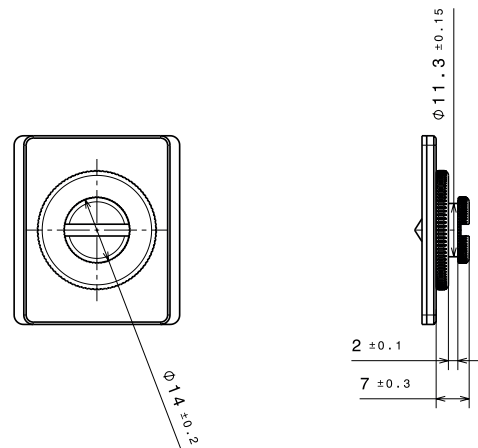
Delivered with 2 different sets for mounting in a rack.

**Set of 2 buttons**

Screwless fixing. The height of the fixing centre can be set at any point along the full height of the PDU by sliding the button slots into the groove on the rear of the PDU. Tightened using a screwdriver.

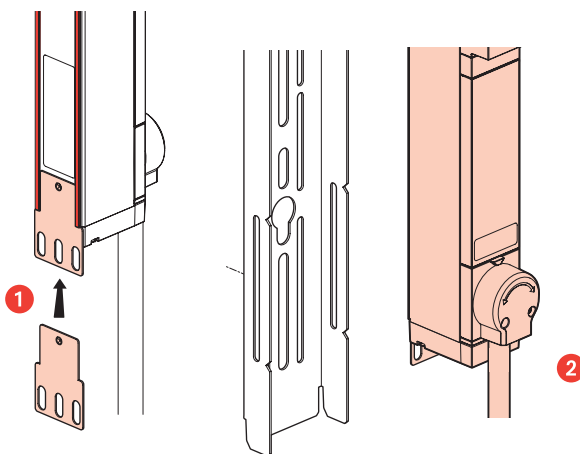
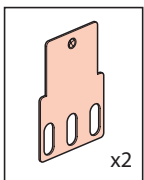


Button dimensions

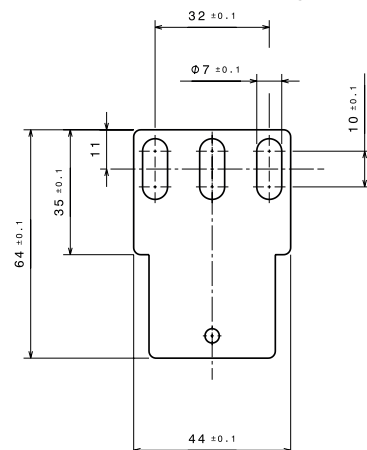


**Set of 2 standard fixing brackets**

Screw-fixing (screws not included)



Dimensions of standard fixing bracket



Fixing centres (min.-max.) with standard brackets : 1518mm -1538mm

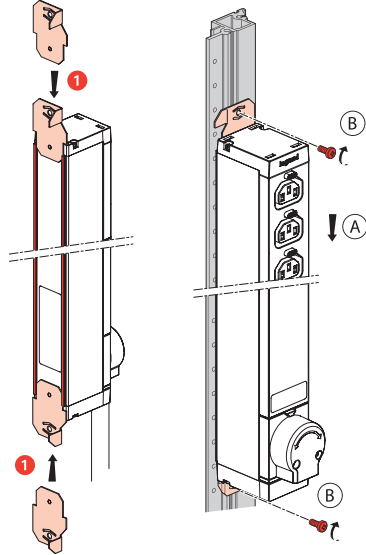
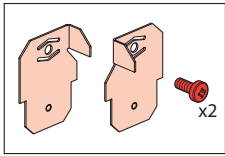
**8.2 OPTION**

**Brackets for Nexpanse racks**

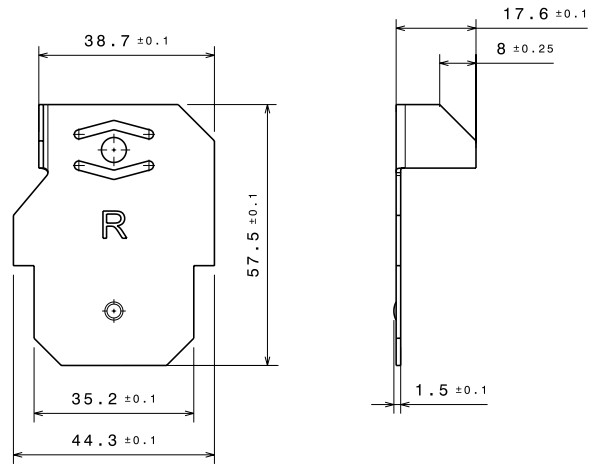
Screw-fixing (2 screws included)

Ref. 981227 Set of 2 brackets (for 1 PDU)

Ref. 981228 Set of 20 brackets (for 10 PDUs)



**Dimensions of NEXPAND fixing bracket**



**9. STANDARDS AND REGULATIONS**

**9.1 STANDARDS**

Application	Standards
Safety	IEC 62368-1
C13 and C19 connectors for electrical equipment	IEC 60320-2-2 IEC 62368-1
Circuit breakers	IEC 60934 IEC 60947-2
Industrial plugs	IEC 60309-1
Information and communication technology equipment	IEC 62368-1
Electromagnetic compatibility	EN 62311 (2008) EMF EN 50491-5-2 EN 50491-5-3 EN 55035 EN 55032 EN 61000-4-11 EN 61000-4-2 EN 61000-4-3 EN 61000-4-4 EN 61000-4-5 EN 61000-4-6 EN 61000-3-2

**9.2 REGULATORY APPROVALS**

CE, UKCA, CMIM

RoHS directive (Restriction of Hazardous Substances).

REACH regulations (Registration, Evaluation, Authorisation & restriction of Chemicals).